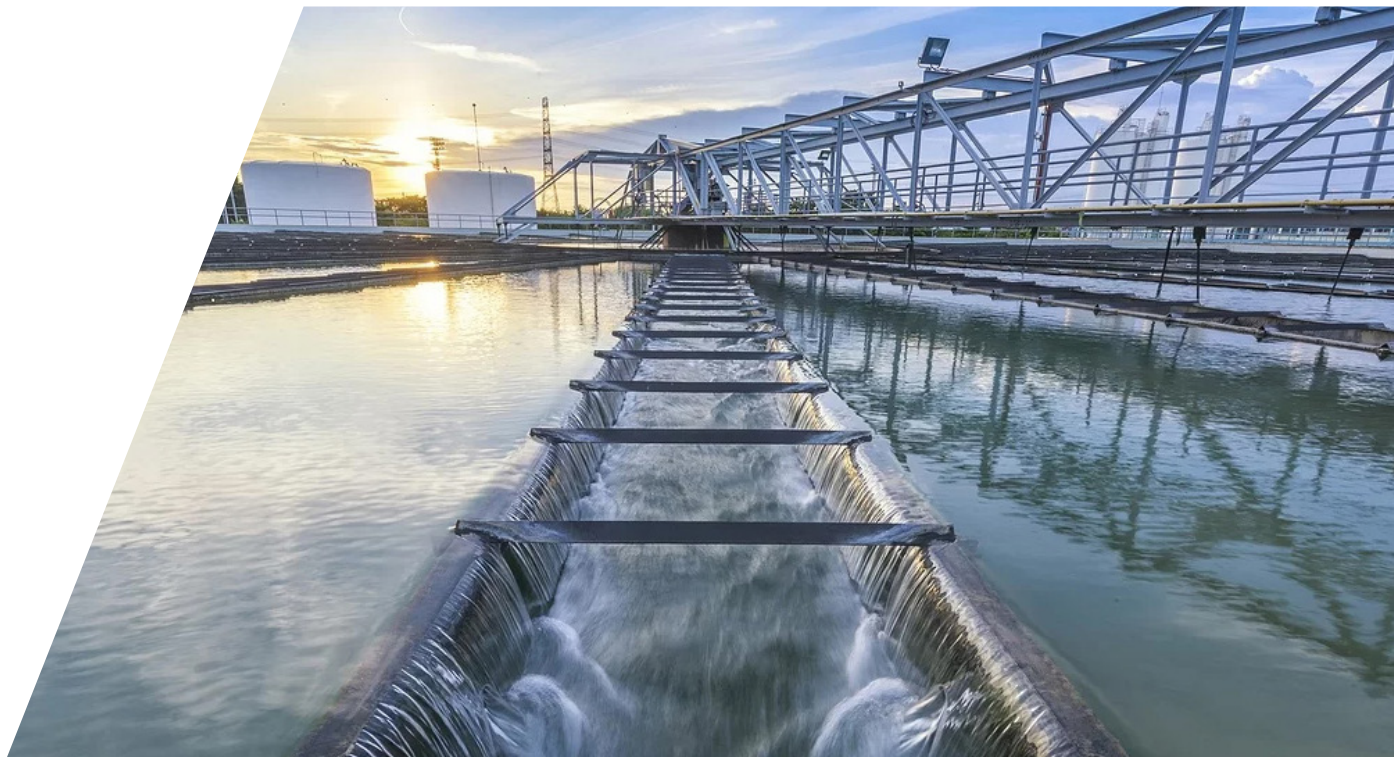


CECO
ENVIRONMENTAL

Sethco

**SEALLESS,
END SUCTION,
MAGNETIC DRIVE
CENTRIFUGAL
PUMPS**

For Corrosive Liquids
and Chemical Transfer



700 Emlen Way, Telford, PA 18969 • P: 800.645.0500 • <https://www.cecoenviro.com/sethco>

SEALLESS, END SUCTION, MAGNETIC DRIVE, CENTRIFUGAL PUMPS

FOR CORROSIVE LIQUIDS AND CHEMICAL TRANSFER

- Flows to 250 GPM (950 LPM)
- Heads to 94 feet (29 M)
- Powers to 10 HP (7.5 kW)
- Temperatures to 21 OOF (990C)
- 24 models available
- Materials of construction:

DESIGN FEATURES

- Magnetic drive, sealless design
- Close-coupled configuration
- No metal contact with process fluids
- Two-piece impeller and inner magnet assembly
- Stationary, self-aligning, replaceable ceramic shaft
- Bearing materials include ceramic and silicon carbide options
- Zero emissions
- Simple operation and ease of maintenance
- Available with optional FRP baseplate assembly
- Mounts to standard NEMA or IEC frame motors



Polypropylene
Model PM-1040W

APPLICATIONS

- Acids
- Bleaches
- Caustics
- Chemical Transfer
- Cleaning/Mixing
- Filtration
- Ideal for OEMs
- Processing
- Recirculation
- Reverse Osmosis
- Scrubber
- Seawater
- Solvents
- Wastewater

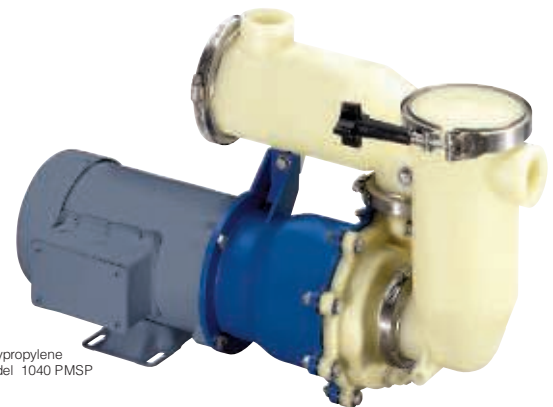
SEALLESS, SELF-PRIMING MAGNETIC DRIVE CENTRIFUGAL PUMPS

FOR CORROSIVE LIQUIDS AND CHEMICAL TRANSFER

- Flows to 230 GPM (870 LPM)
- Heads to 93 feet (28 M)
- Powers to 10 HP (7.5 kW)
- Temperatures to 21 OOF (990C)
- 24 models available
- Materials of construction:
- Polypropylene and Kynar (PVDF)

DESIGN FEATURES

- Self-priming magnetic drive, sealless design
- Close-coupled configuration
- Removable, integral suction basket strainer
- No metal contact with process fluids
- Two-piece impeller and inner magnet assembly
- Stationary, self-aligning, replaceable ceramic shaft
- Bearing materials include ceramic and silicon carbide options
- Zero emissions
- Simple operation and ease of maintenance
- Available with optional FRP baseplate assembly
- Mounts to standard NEMA or IEC frame motors



Polypropylene
Model 1040 PMSP

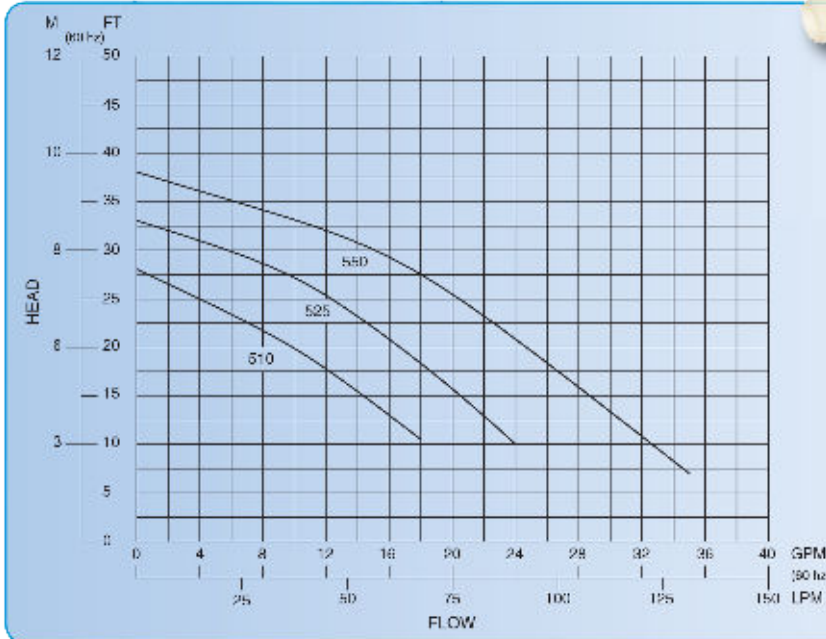
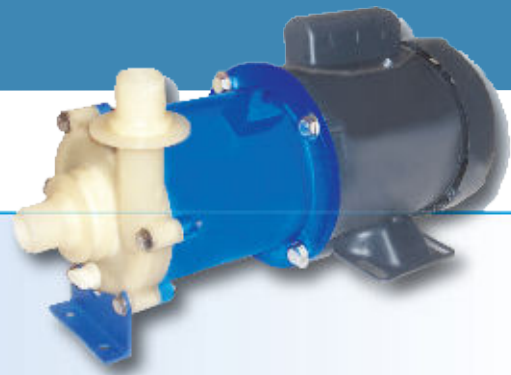
APPLICATIONS

- Acids
- Bleaches
- Caustics
- Chemical Transfer
- Cleaning/ Mixing
- Filtration
- Ideal for OEMs
- Processing
- Recirculation
- Reverse Osmosis
- Scrubber
- Seawater
- Solvents
- Wastewater

500 SERIES

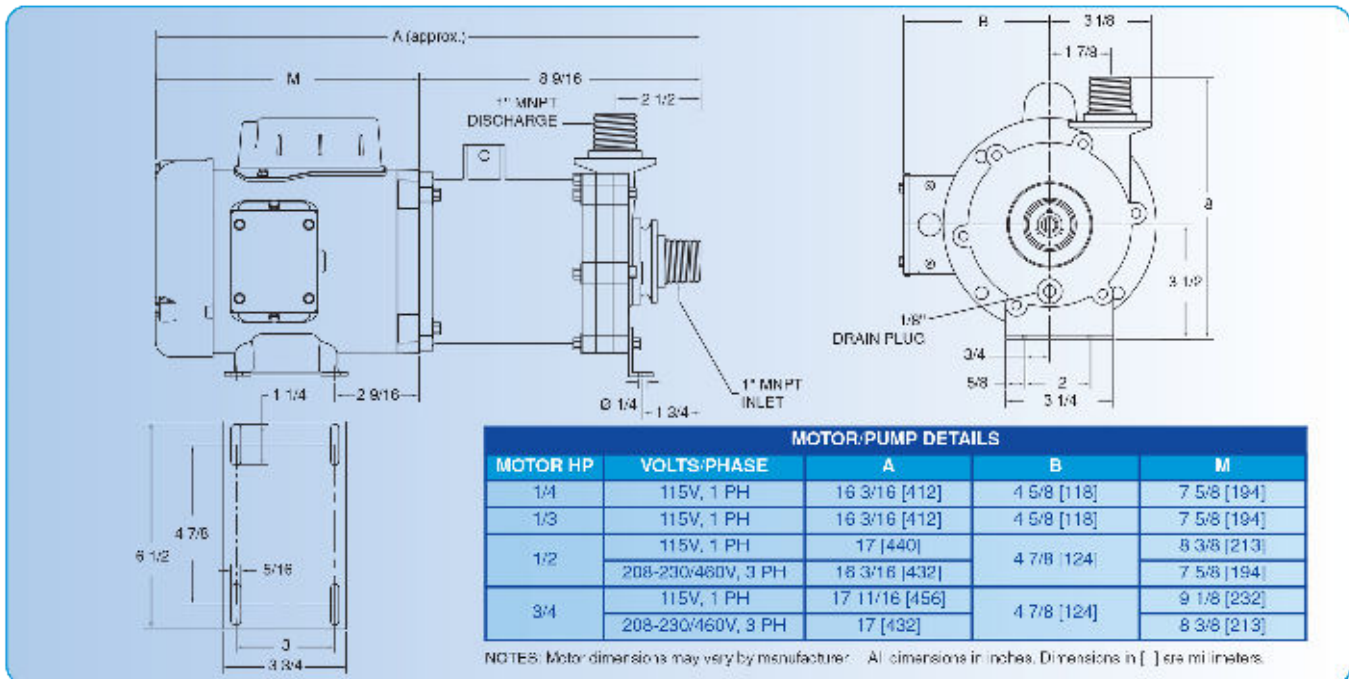
FOR FLOWS TO 30 GPM (115 LPM), HEADS TO 38 FT. (12 M)

Composite Curves



FOR MODELS
 PM/KM-510
 PM/KM-525
 PM/KM-550

Dimensions



Pump Specifications: 6 Models Available

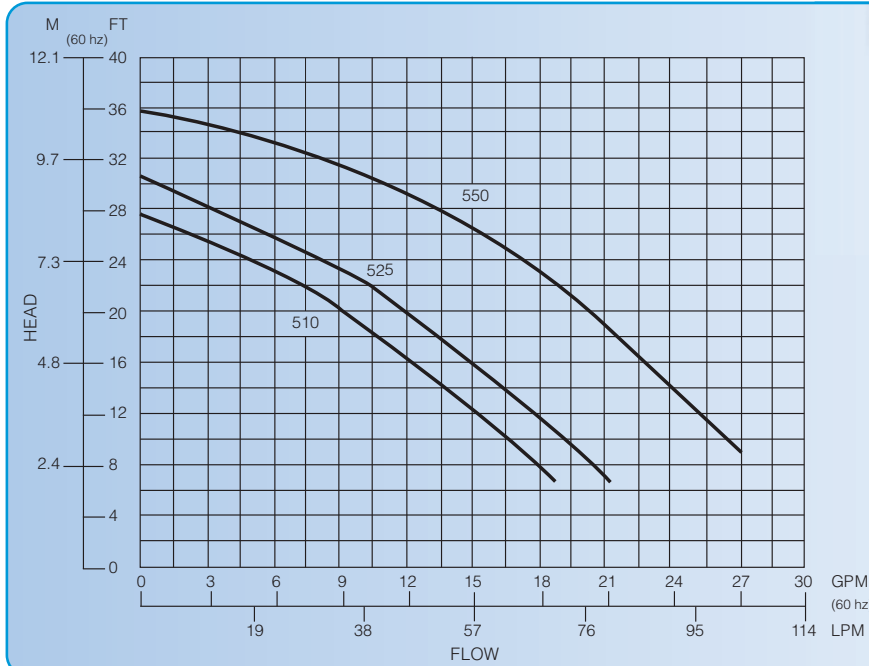
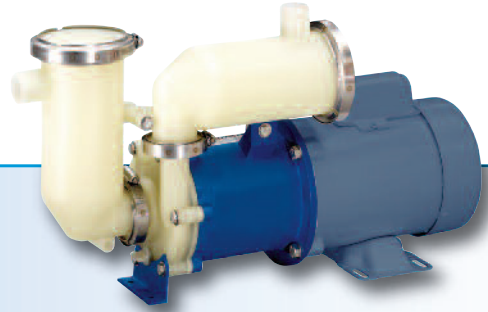
Model Number		Max Flow		Max Head		Max Operating Temperature	Motor Characteristics*					Weight (Lbs./Kg.)†	
Polypropylene	PVDF	GPM	LPM	FT.	M		HP*	Volts	Hz	Phase	Type	Lbs.	Kg.
PM-510	KM-510	18	70	28	9	Polypropylene: 180°F / 82°C PVDF: 210°F / 99°C	1/4	115	60	1 PH	TEFC	30	13.6
PM-525	KM-525	22	85	33	10		1/3	115		1 PH		31	14.1
PM-550	KM-550	30	115	38	12		1/2	115/230	1 & 3 PH	34	15.5		

* Customer supplied overload protection is required on 3 phase motors. **Consult Factory** for the following options: 50 Hz. motors, explosion proof motors, and alternate motor HPs.
 † Add approximately 3 lbs./1.4 kg. for PVDF. † Add approximately 20% extra for shipping weight.

500 SERIES

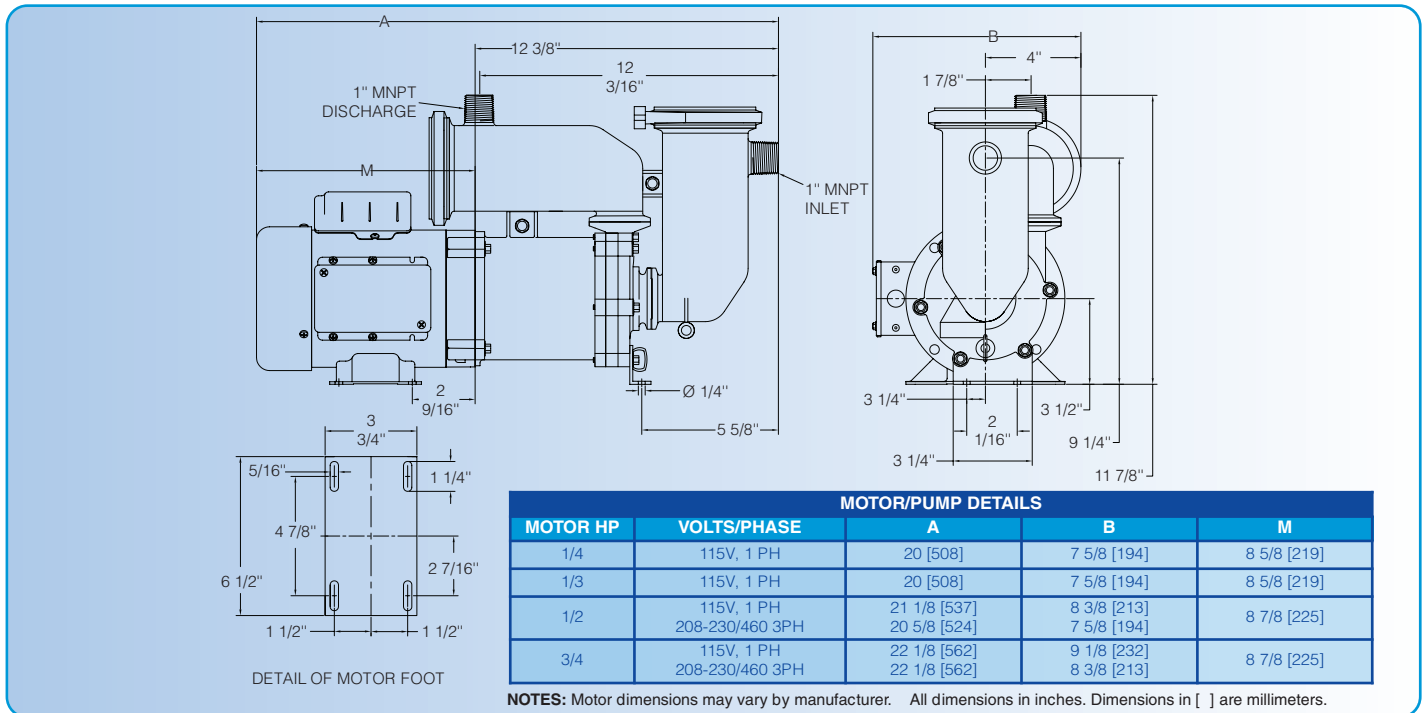
FOR FLOWS TO 27 GPM (102 LPM), HEADS TO 36 FT. (11 M)

Composite Curves



FOR MODELS
 PMSP/KMSP-510
 PMSP/KMSP-525
 PMSP/KMSP-550

Dimensions



Pump Specifications: 6 Models Available

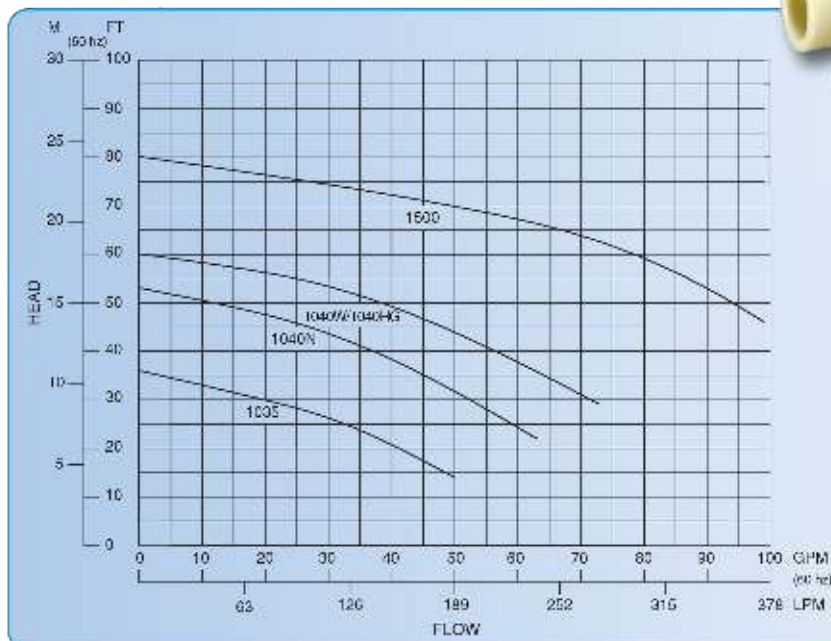
Model Number		Max Flow		Max Head		Max Operating Temperature	Motor Characteristics *					Weight (Lbs./Kg.)†	
Polypropylene	PVDF	GPM	LPM	Ft.	M		HP *	Volts	Hz	Phase	Type	Lbs.	Kg.
PMSP-510	KMSP-510	18	68	28	8.5	Polypropylene: 180°F / 82°C PVDF: 210°F / 99°C	1/4	230/460	60	1 PH	TEFC	32	14.5
PMSP-525	KMSP-525	21	79	30	9		1/3			1 PH		33	15
PMSP-550	KMSP-550	27	102	36	11		1/2			1 & 3 PH		36	16.3

* Customer supplied overload protection is required on 3 phase motors. **Consult Factory** for the following options: 50 Hz. motors, explosion proof motors, and alternate motor HPs.
 † Add approximately 3 lbs./1.4 kg. for PVDF. † Add approximately 20% extra for shipping weight.

1000 SERIES

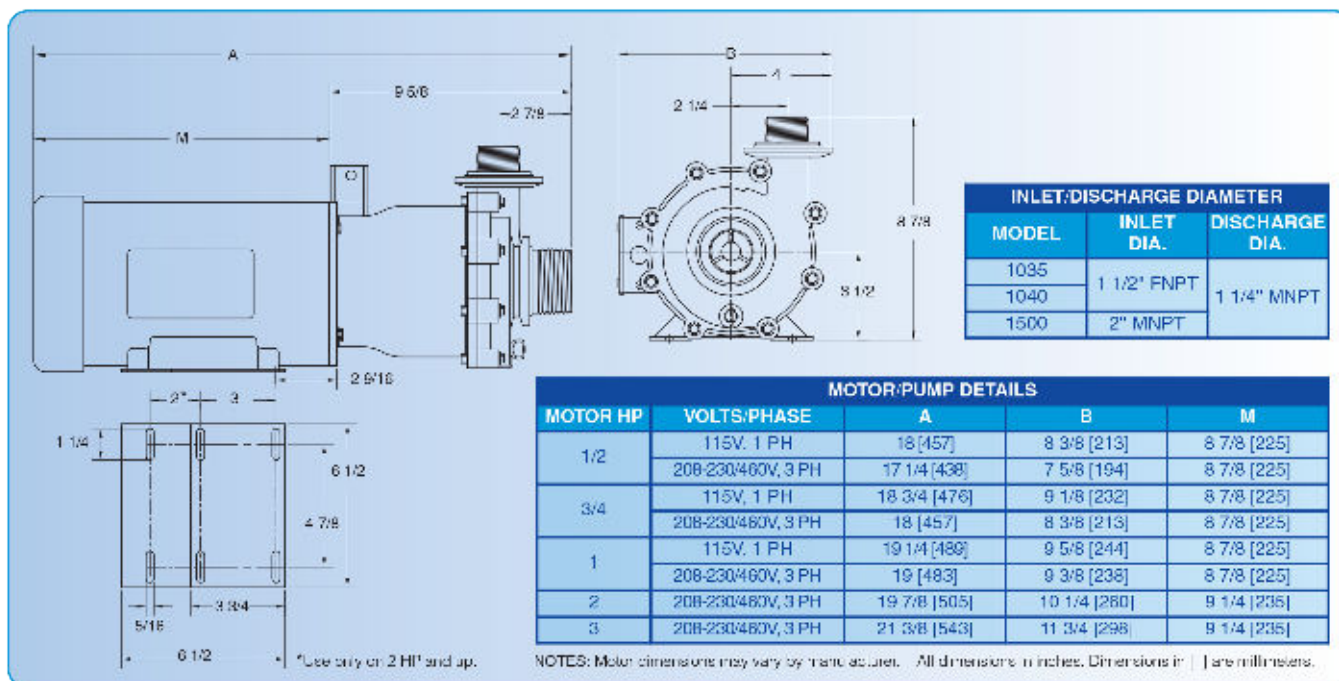
FOR FLOWS TO 96 GPM (365 LPM), HEADS TO 80 FT. (24 M)

Composite Curves



FOR MODELS
 PM/KM-1035
 PM/KM-1040N
 PM/KM-1040W
 PM/KM-1040HG
 PM/KM-1500

Dimensions



Pump Specifications: 10 Models Available

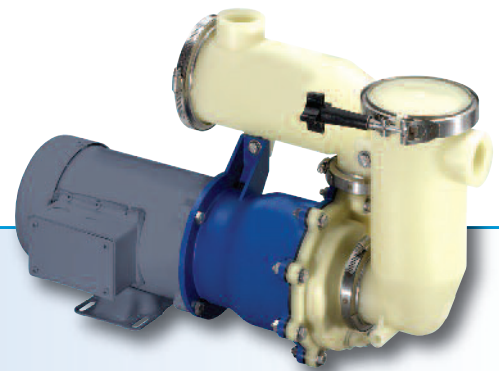
Model Number		Max Flow		Max Head		Max Operating Temperature	Motor Characteristics*					Weight (Lbs./Kg.)†	
Polypropylene	PVDF	GPM	LPM	Fr.	M		HP‡	Volts	Hz	Phase	Type	Lbs.	Kg.
PM 1035	KM 1035	50	190	36	11	Polypropylene: 180°F / 82°C PVDF: 210°F / 99°C	1/2	115/230	60	1 PH	TFCC	34	15.5
PM-1040N	KM-1040N	62	235	53	16		1					37	16.8
PM-1040W	KM-1040W	73	280	60	18		1					37	16.8
PM-1040HG	KM-1040HG	73	280	60	18		2					43	19.5
PM 1500	KM 1500	96	365	80	24		2					43	19.5
							3 PH (230/460V)					43	19.5

* Customer supplied overload protection is required on 3 phase motors. **Consult Factory** for the following options: 50 Hz. motors, explosion proof motors, and alternate motor HPs.
 † Add approximately 3 lbs./1.4 kg. for PVDF. ‡ Add approximately 20% extra for shipping weight.

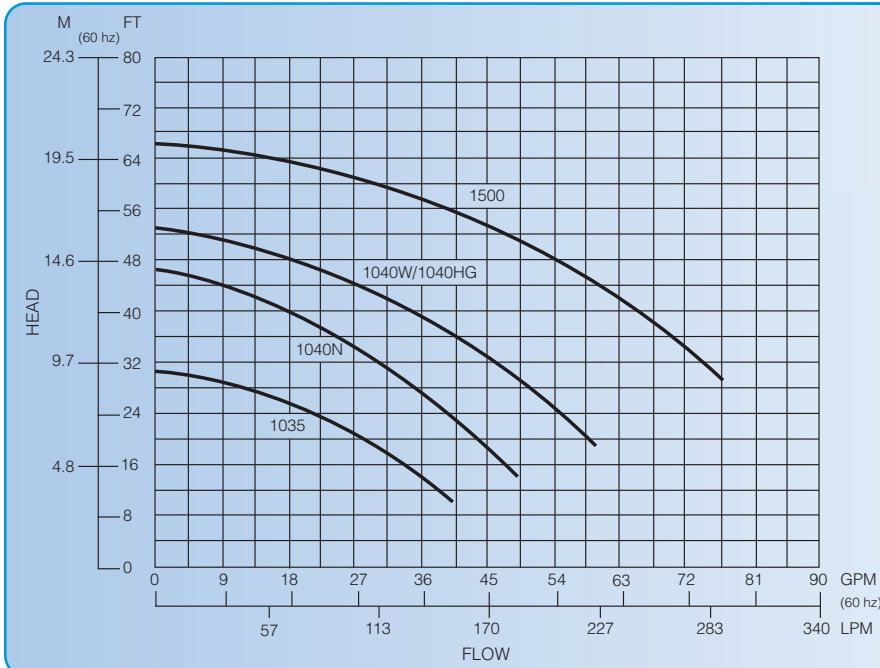
1000 SERIES

FOR FLOWS TO 76 GPM (288 LPM), HEADS TO 66 FT. (20 M)

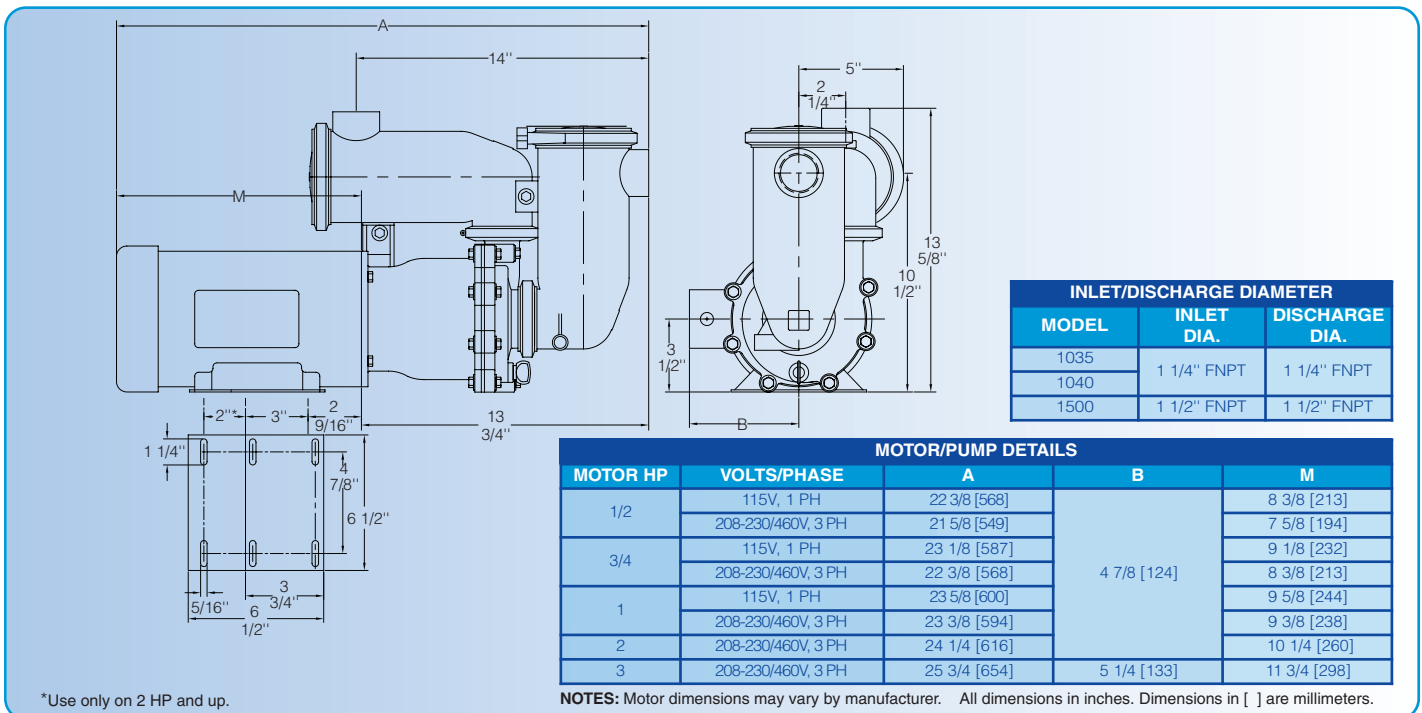
Composite Curves



FOR MODELS
 PMSP/KMSP-1035
 PMSP/KMSP-1040N
 PMSP/KMSP-1040W
 PMSP/KMSP-1040HG
 PMSP/KMSP-1500



Dimensions



Pump Specifications: 10 Models Available

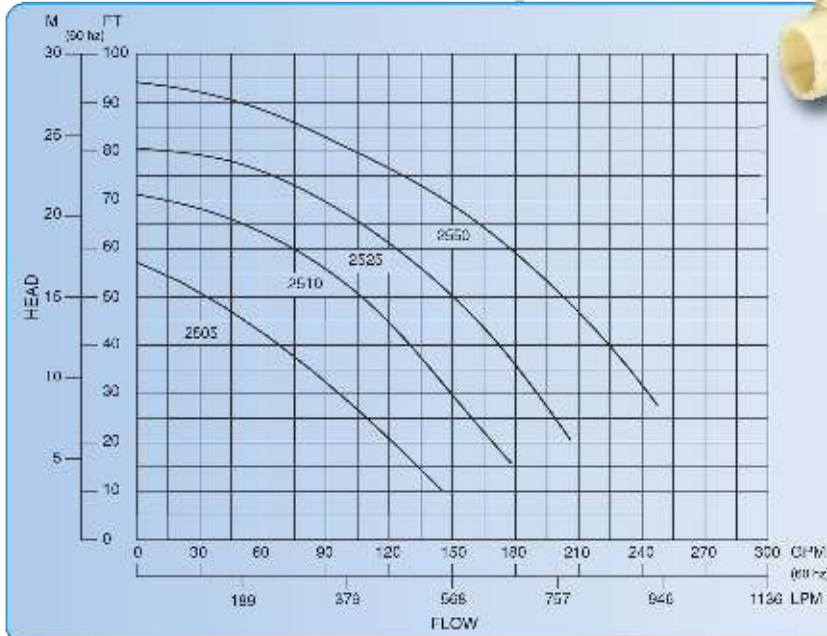
Model Number		Max Flow		Max Head		Max Operating Temperature	Motor Characteristics*					Weight (Lbs./Kg.) †	
Polypropylene	PVDF	GPM	LPM	Ft.	M		HP*	Volts	Hz	Phase	Type	Lbs.	Kg.
PMSP-1035	KMSP-1035	59	151	31	9.4	Polypropylene: 180°F / 82°C PVDF: 210°F / 99°C	1/2	115/230	60	1 & 3 PH	TEFC	38	17
PMSP-1040N	KMSP-1040N	49	185	46	14		1					40	18
PMSP-1040W	KMSP-1040W	59	223	53	16		1					41	18.6
PMSP-1040HG	KMSP-1040HG	60	227	53	16		2					47	21.3
PMSP-1500	KMSP-1500	76	288	66	20		2					47	21.3

* Customer supplied overload protection is required on 3 phase motors. Consult Factory for the following options: 50 Hz. motors, explosion proof motors, and alternate motor HPs.
 † Add approximately 3 lbs./1.4 kg. for PVDF. † Add approximately 20% extra for shipping weight.

2500 SERIES

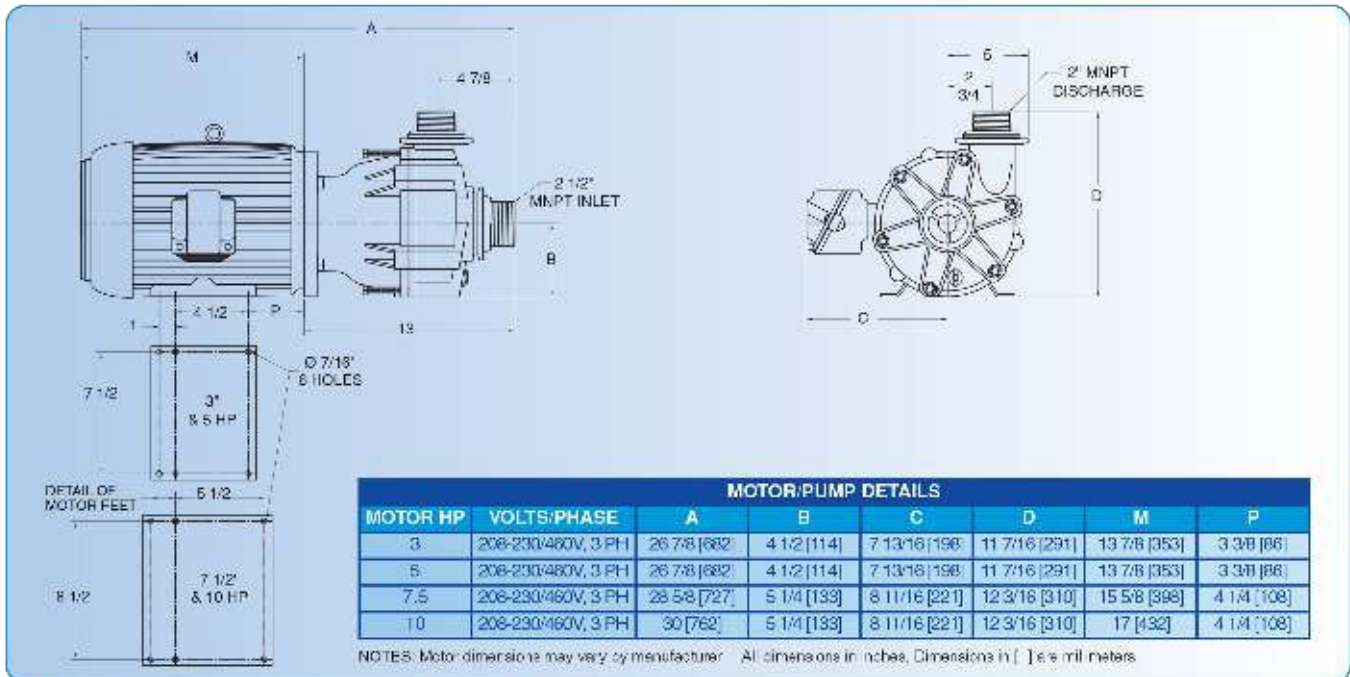
FOR FLOWS TO 250 GPM (950 LPM), HEADS TO 94 FT. (29 M)

Composite Curves



FOR MODELS
 PM/KM-2505
 PM/KM-2510
 PM/KM-2525
 PM/KM-2550

Dimensions



Pump Specifications: 8 Models Available

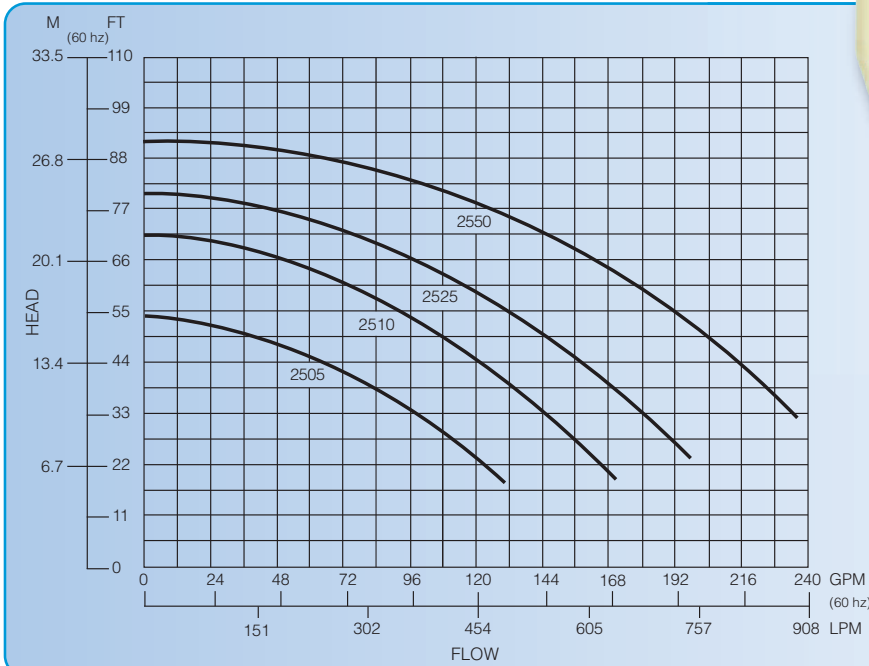
Model Number		Max Flow		Max Head		Max Operating Temperature	Motor Characteristics*					Weight (Lbs./Kg.)†	
Polypropylene	PVDF	GPM	LPM	Ft.	M		HP*	Volts	Hz	Phase	Type	Lbs.	Kg.
PM-2505	KM-2505	145	550	56	17	Polypropylene: 180°F / 82°C PVDF: 210°F / 99°C	3	208-230/480	60	3 PH	TFC	84	38.1
PM-2510	KM-2510	180	685	71	22		5					126	57.2
PM-2525	KM-2525	205	780	80	24		5					126	57.2
PM-2550	KM-2550	250	950	94	29		7 1/2					192	87.1

* Customer supplied overload protection is required on 3 phase motors. **Consult Factory** for the following options: 50 Hz. motors, explosion proof motors, and alternate motor HPs.
 † Add approximately 3 lbs./1.4 kg. for PVDF. † Add approximately 20% extra for shipping weight.

2500 SERIES

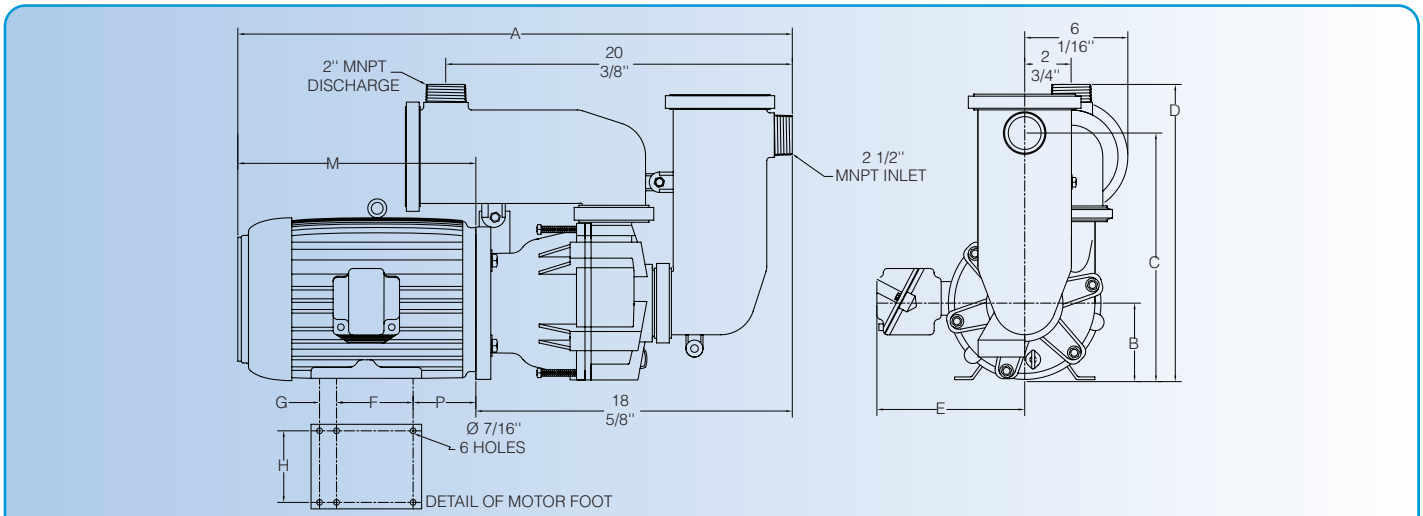
FOR FLOWS TO 230 GPM (870 LPM), HEADS TO 93 FT. (28 M)

Composite Curves



FOR MODELS
 PMSP/KMSP-2505
 PMSP/KMSP-2510
 PMSP/KMSP-2525
 PMSP/KMSP-2550

Dimensions



MOTOR/PUMP DETAILS											
MOTOR HP	VOLTS/PHASE	A	B	C	D	E	F	G	H	M	P
3	208-230/460V, 3 PH	32 1/2 [826]	4 1/2 [114]	14 3/8 [365]	17 3/8 [441]	7 13/16 [198]	4 1/2 [114]	1 [25]	7 1/2 [191]	13 7/8 [353]	3 3/8 [86]
5	208-230/460V, 3 PH	32 1/2 [826]		14 3/8 [365]	17 3/8 [441]	7 13/16 [198]	4 1/2 [114]	1 [25]	7 1/2 [191]	13 7/8 [353]	
7.5	208-230/460V, 3 PH	34 1/4 [870]	5 1/4 [133]	15 1/8 [384]	18 1/8 [460]	8 11/16 [221]	5 1/2 [140]	1 1/2 [38]	8 1/2 [216]	15 5/8 [397]	4 1/4 [108]
10	208-230/460V, 3 PH	35 5/8 [905]		15 1/8 [384]	18 1/8 [460]	8 11/16 [221]	5 1/2 [140]	1 1/2 [38]	8 1/2 [216]	17 [432]	

NOTES: Motor dimensions may vary by manufacturer. All dimensions in inches. Dimensions in [] are millimeters.

Pump Specifications: 8 Models Available

Model Number		Max Flow		Max Head		Max Operating Temperature	Motor Characteristics*					Weight (Lbs./Kg.) †	
Polypropylene	PVDF	GPM	LPM	ft.	M		HP*	Volts	Hz	Phase	Type	Lbs.	Kg.
PMSP-2505	KMSP-2505	130	490	55	17	Polypropylene: 180°F / 82°C PVDF: 210°F / 99°C	3	208-230/460	60	3 PH	TEFC	91	41.3
PMSP-2510	KMSP-2510	165	625	72	22		5					133	60.3
PMSP-2525	KMSP-2525	190	719	80	24		5					133	60.3
PMSP-2550	KMSP-2550	230	870	93	28		7 1/2					199	90.3

* Customer supplied overload protection is required on 3 phase motors. Consult Factory for the following options: 50 Hz. motors, explosion proof motors, and alternate motor HPs.
 † Add approximately 3 lbs./1.4 kg. for PVDF. † Add approximately 20% extra for shipping weight.