

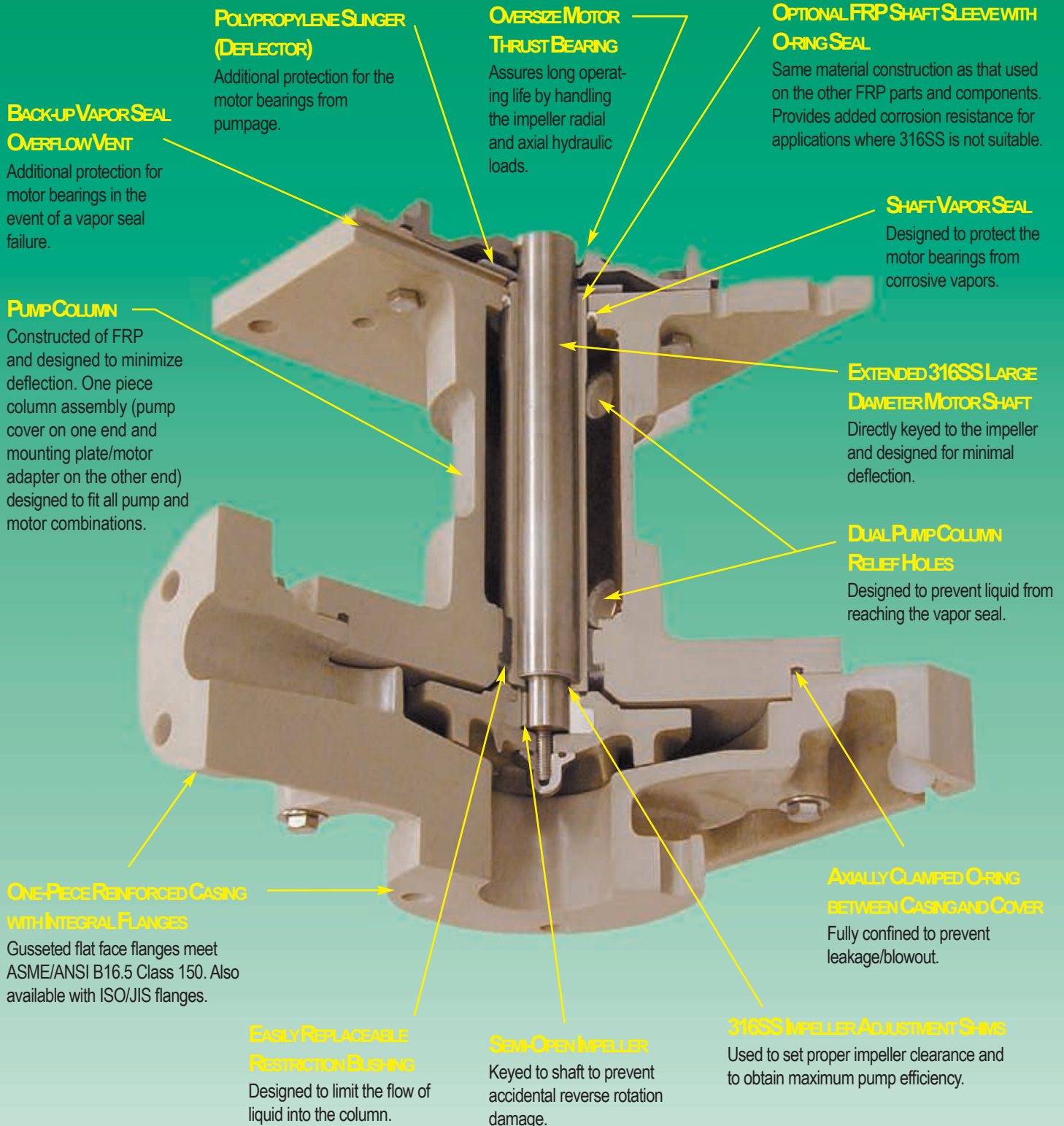
**Simple,
Reliable and
Cost Effective**

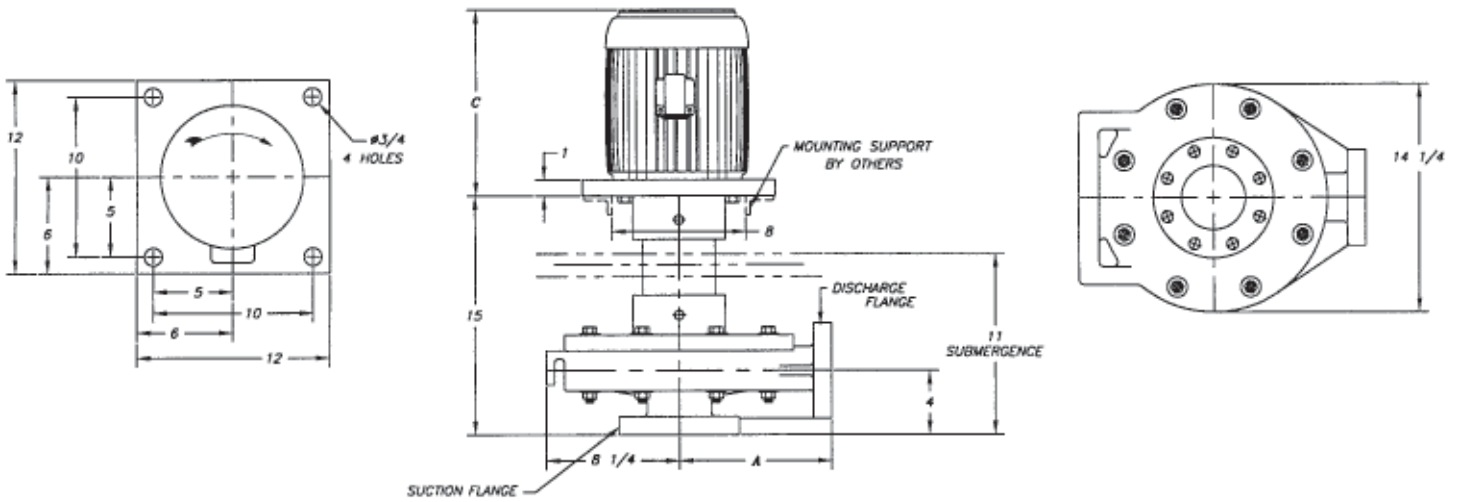
**CORROSION RESISTANT
FRP CONSTRUCTION**

CECO Fybroc

FYBROC[®] SERIES 7530

CLOSE COUPLED CANTILEVER PUMPS





FLANGE	O.D.	THICK.	B.C.	NUMBER OF HOLES	SIZE OF HOLES
1	4 1/4	1	3 1/8	4	3/4
1 1/2	5	1 1/8	3 7/8	4	5/8
2	6	1 1/8	4 3/4	4	3/4
3	7 1/2	1 3/16	6	4	3/4
4	9	1 1/4	7 1/2	8	3/4

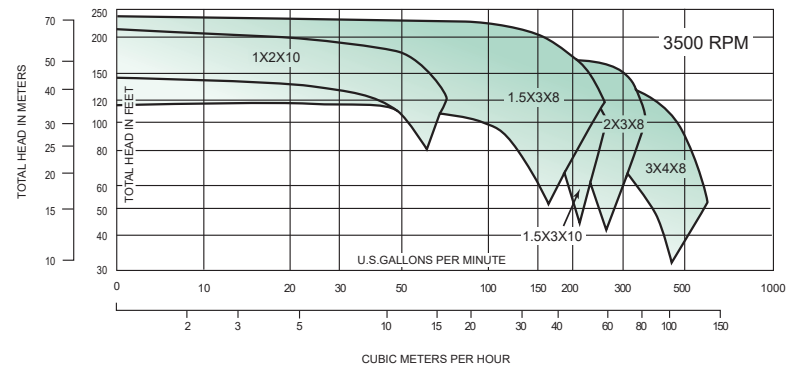
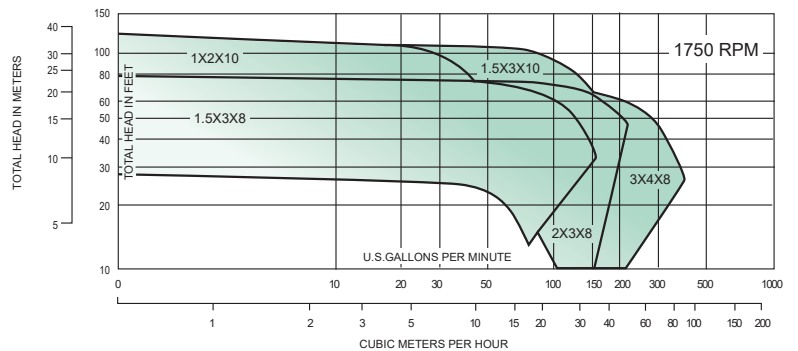
PUMP SIZE	SUCTION	DISCHARGE	A
1 1/2 x 3 x 8	3	1 1/2	8 1/2
2 x 3 x 8	3	2	9 1/2
3 x 4 x 8	4	3	11
1 x 2 x 10	2	1	8 1/2
1 1/2 x 3 x 10	3	1 1/2	8 1/2

MOTOR FRAME	C
213TCZ/215TCZ	18 1/4
254TCZ/256TCZ	21
284TCZ/286TCZ	24 1/4

NOTES:

- 1) All dimensions in inches. Flanges are ASME/ANSI B16.5 Class. 150 lb. Flat Face.
- 2) Rotation is clockwise facing motor fan guard.

WARNING: Do not operate without liquid in pump. Do not operate in reverse rotation.



700 Emlen Way • Telford, PA 18969
 P: 215.723.8155 • TOLL-FREE: 800.392.7621 • F: 215.723.2197
 infoFHS@OneCECO.com • www.cecoenviro.com/fybroc

